

Standard Orifice Plate

【Features】

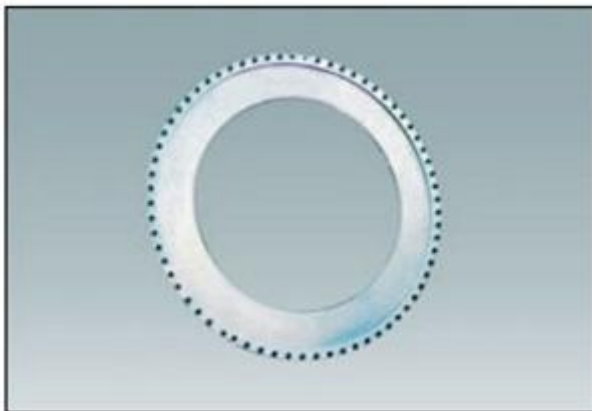
The product is featured with high measuring accuracy, easy installation, wide use range and low cost etc; widely used in measuring the flow of various mediums.



Standard orifice plate

【Specification】

DN 20 ~ 3000 mm PN 0.25 ~ 32 MPA

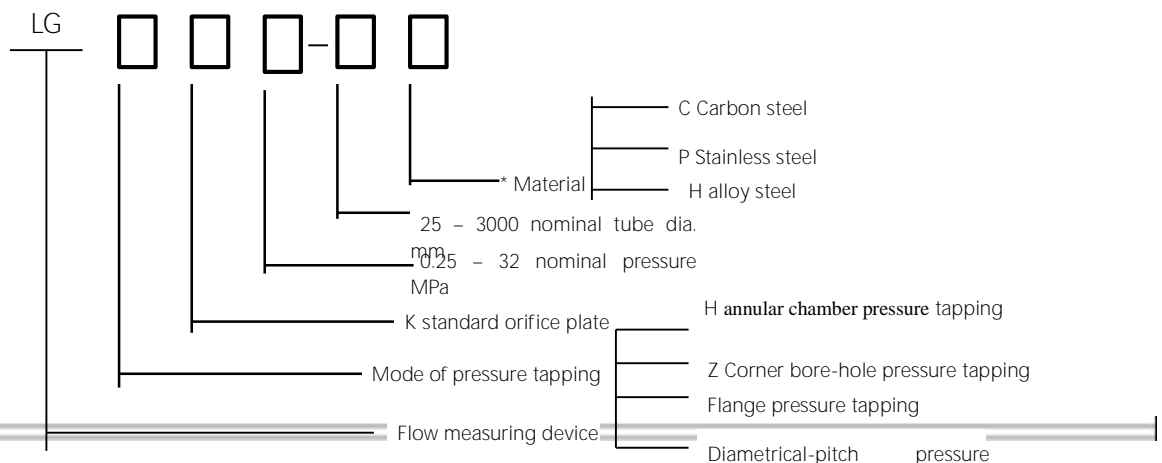


Big size orifice plate

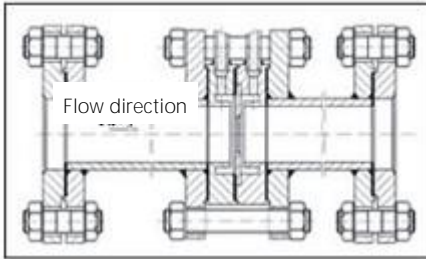


High pressure lens shim orifice plate

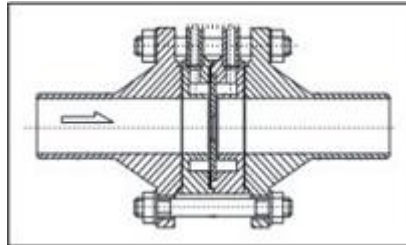
【Model】II



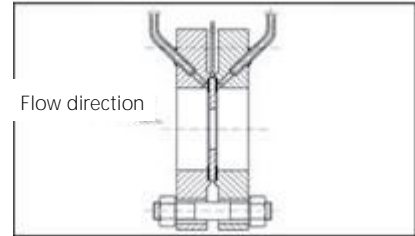
【Product Structure Drawing】



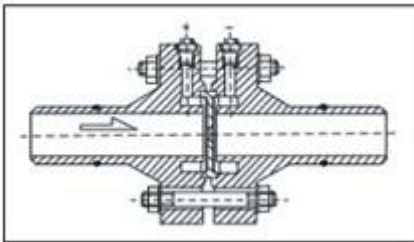
Standard orifice plate,
annular chamber pressure tapping
PN 2.5



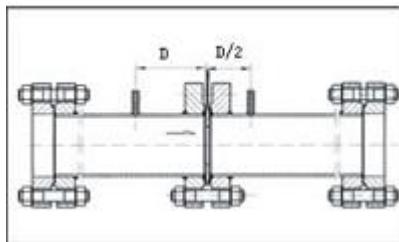
Standard orifice plate,
annular chamber pressure tapping
4.0 PN 6.4



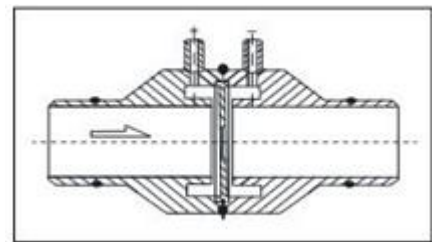
Standard orifice plate,
bore-hole pressure tapping
PN 2.5



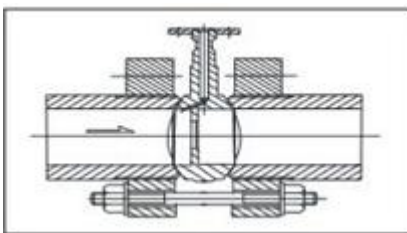
Tightening type eight-slot orifice plate
PN 10



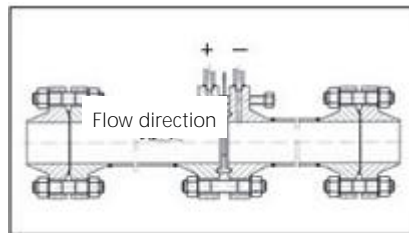
Standard orifice plate,
Diametrical-pitch tapping
PN 2.5



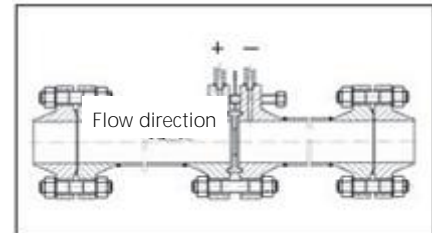
Welding type eight-slot orifice plate
PN 10 II



High pressure lens shim orifice plate
PN 22 , 32



Standard orifice plate,
flange pressure tapping



Standard orifice plate,
flange pressure tapping

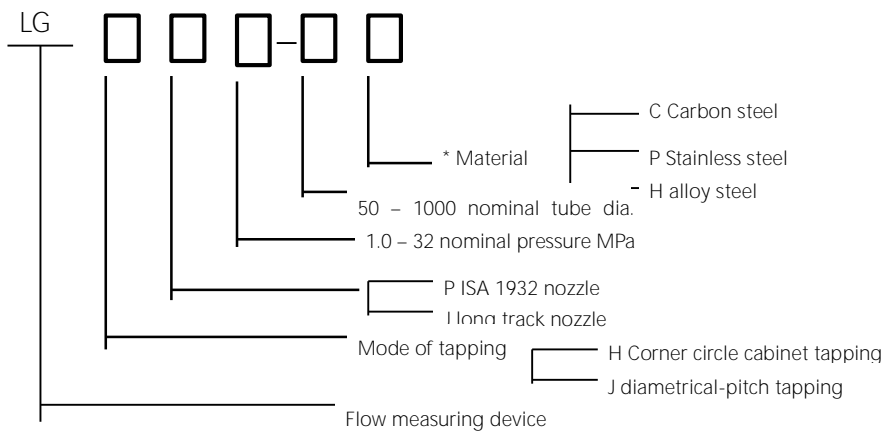
Throttling Device

Standard Nozzle

Standard nozzle is featured with good high temperature resistance, impact resistance, long service life, wide use range, high measuring accuracy etc.; it is widely used in power plants for high temperature and pressure steam flow, heat-supply network pipeline, high flow fluid and flow measuring.

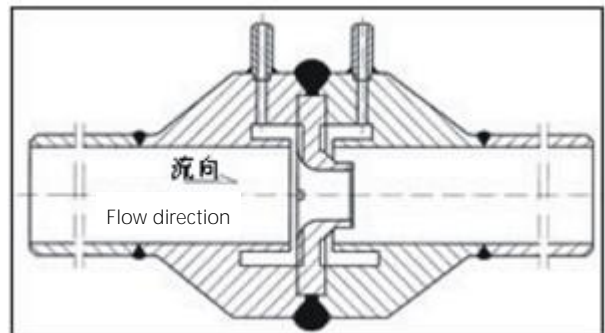
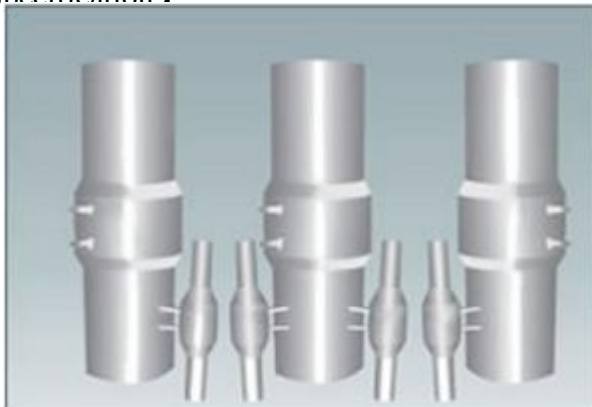
There are two types: A: ISA 1932 nozzle (standard nozzle)

B: Long track nozzle

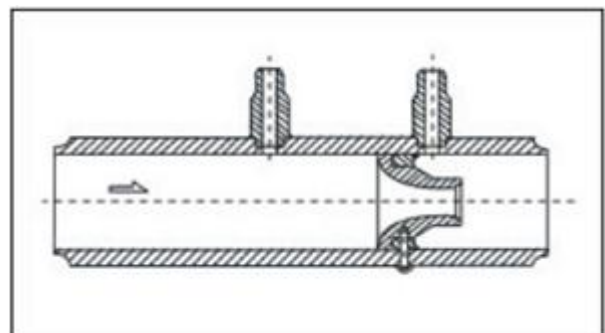
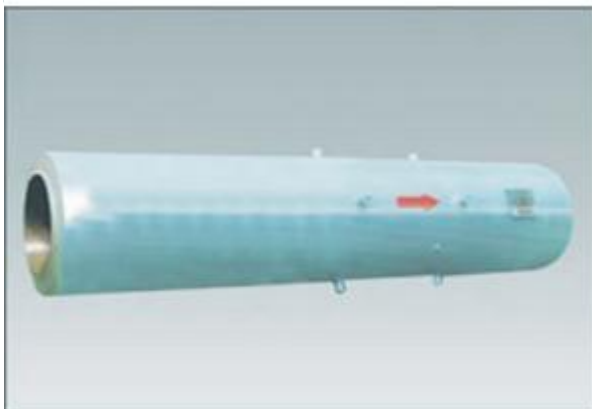


【Specification】

DN



A: ISA 1932 nozzle



B: Long track nozzle

B: Long track nozzle profile

Classical Venturi Tube Venturi Nozzle

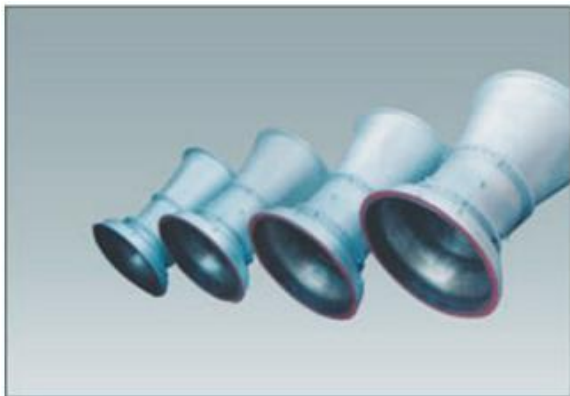
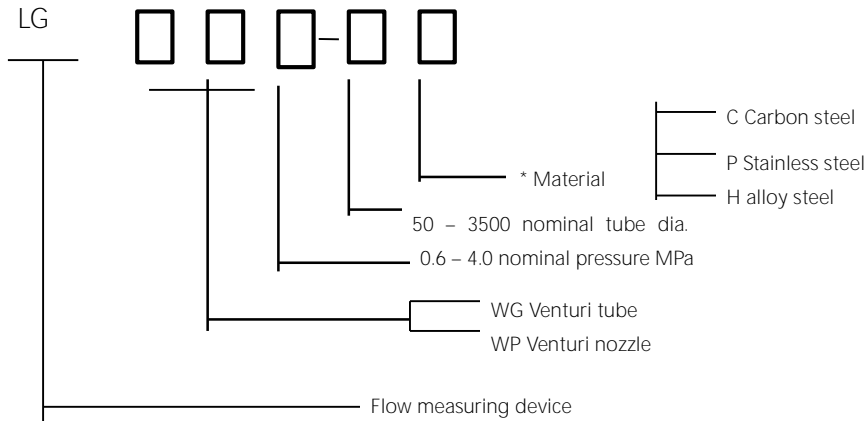
【Features】

Classical Venturi tube Venturi nozzle is featured with small pressure loss, high measuring accuracy, short front and back straight tubes, and long service life etc. it is suitable for measuring the flow of water and gases.

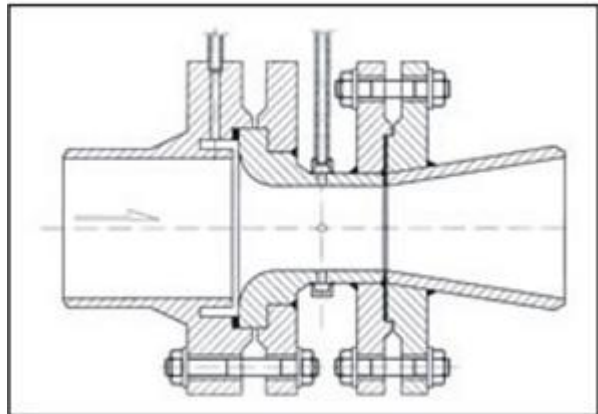
【Specification】

DN 50 ~ 3500 mm PN 0.6 ~ 4.0 OMPa

Model:



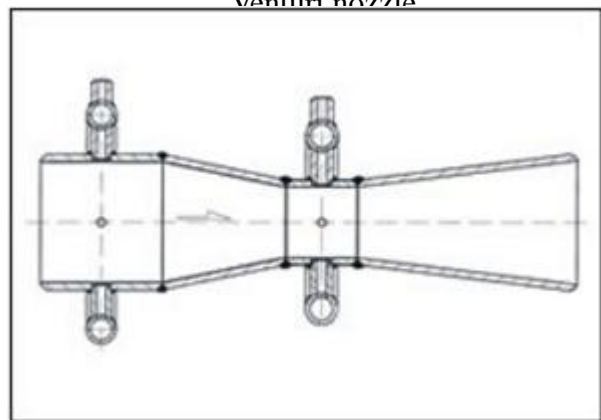
Profile of Venturi nozzle



Venturi nozzle



Profile of classical venturi tubes



Classical Venturi tube

Throttling Device

Wing Profile Wind-measuring Device

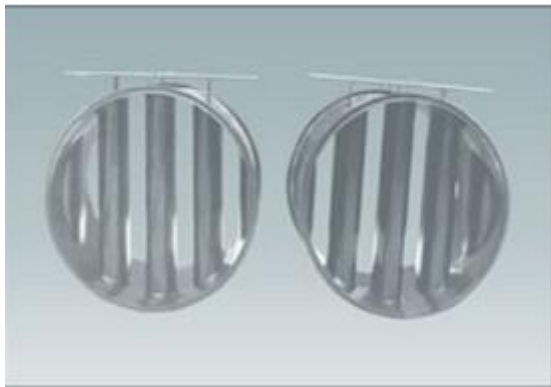
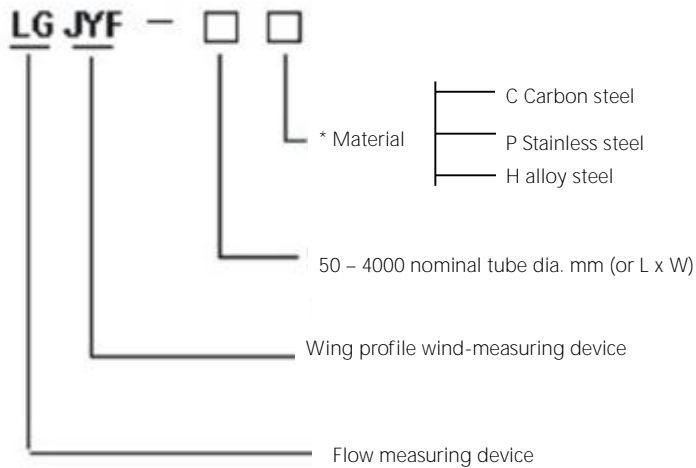
【Features】

Wing profile wind-measuring device is featured with small pressure, short front and back straight tubes, stable measuring etc; it is suitable for measuring wind flow in circular or rectangular pipes.

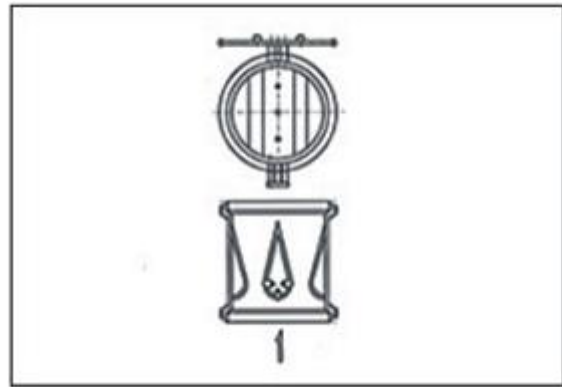
【Specification】

DN 80 ~ 4000 mm (or L x W) PN 0.25 ~ 2.5 MPa

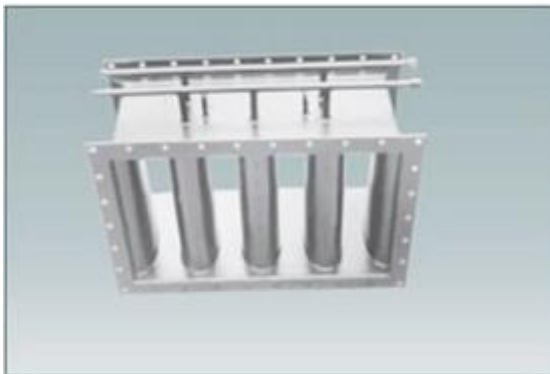
Model:



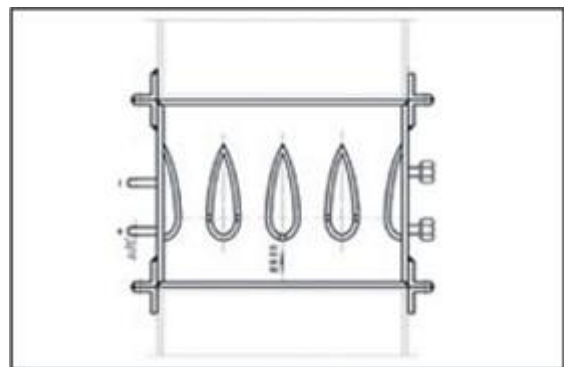
Profile of wing type wind-measuring device (circular pipe)



Wing type wind-measuring device (circular pipe)



Profile of wing type wind-measuring device (rectangular pipe)



Wing type wind-measuring device (rectangular pipe)

V-cone Flow Meter

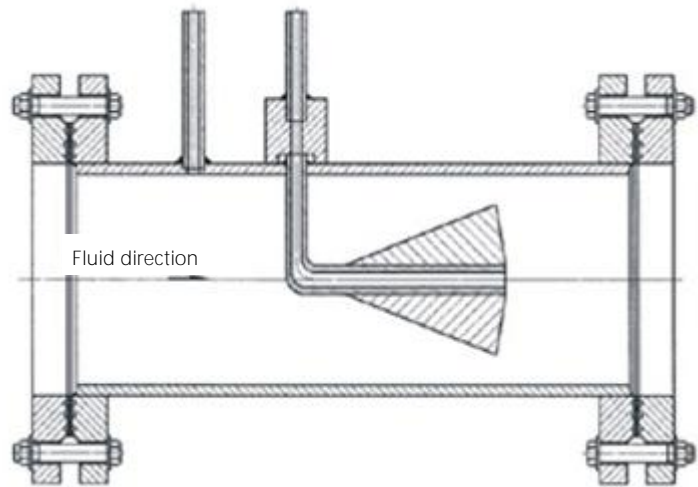
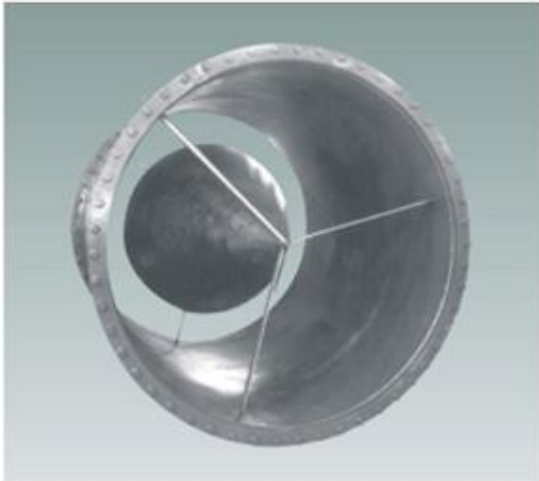
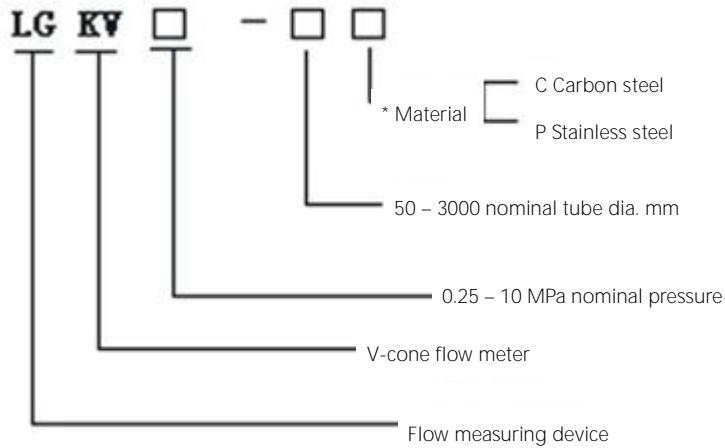
【Features】

V-cone flow meter is featured with small pressure loss, free of blocking, short front and back straight tubes, high measuring accuracy, long service life etc; it is suitable for gases and liquid types of relatively more foreign substances, especially suitable for measuring gases such as coal gas, smoke etc.

【Specification】

DN 200 ~ 3000 mm PN 0.25 ~ 10 MPa

Model



*Referring to the materials for flange tubes; material of throttling parts is stainless steel.